

The Dacor logo is rendered in a bold, italicized, sans-serif font with a metallic, 3D effect. The letters are dark with a lighter, reflective highlight on the top and left sides, giving it a sleek, modern appearance. A registered trademark symbol (®) is located at the end of the word.

# **dacor**®

The Life of the Kitchen.®

A photograph of a white Dacor DWD30 warming drawer installed in a kitchen. The drawer is pulled out slightly, showing its interior. The kitchen background includes a countertop with various items like a bowl, a bottle, and a sink. The text 'PARTS CATALOG' is overlaid in large, semi-transparent, 3D-style letters across the middle of the image.

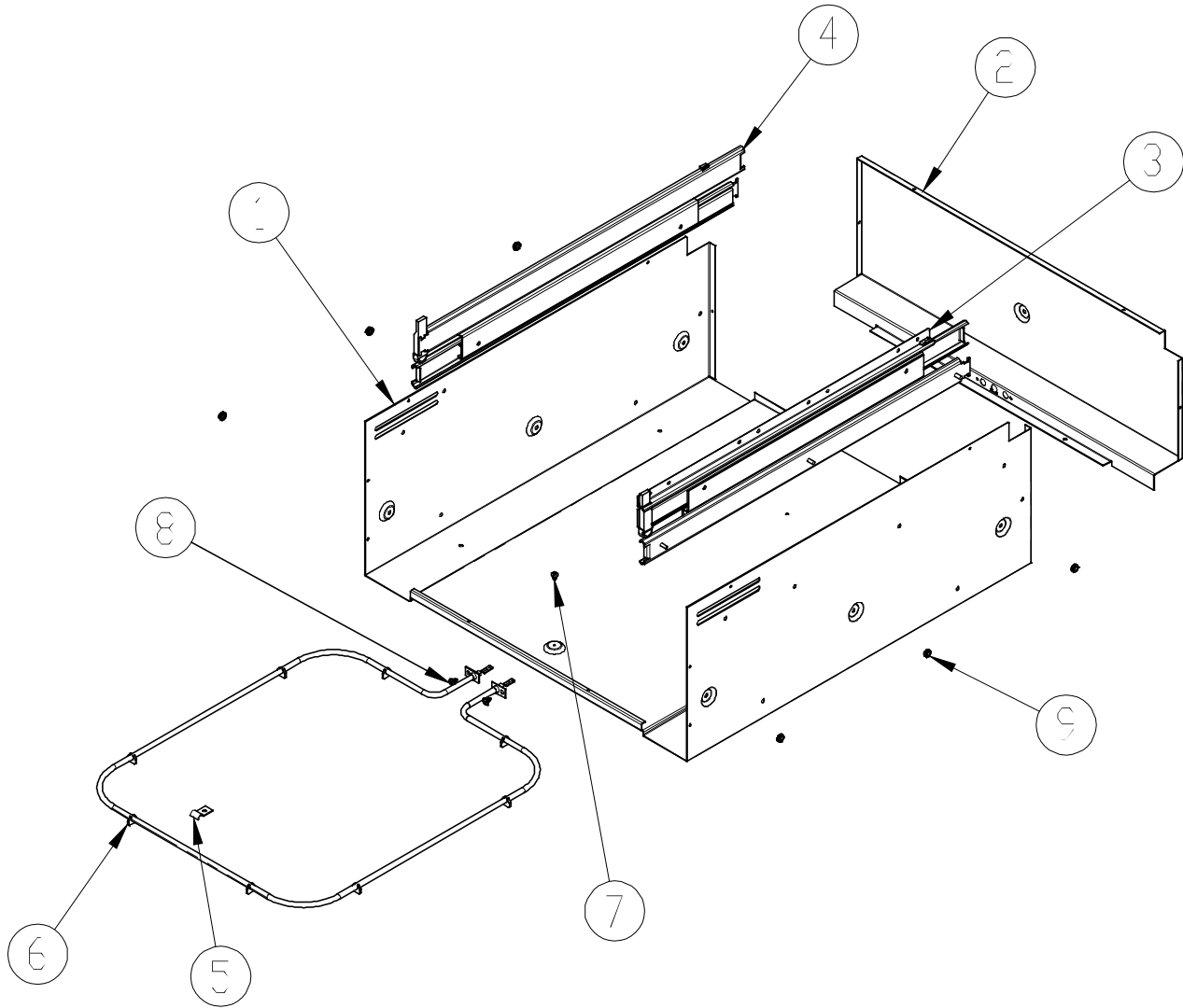
## **PARTS CATALOG**

### **DWD30 Warming Drawer**

<b>Page</b>	<b>Description</b>
<b>2</b>	<b>Chassis Wrap Assembly</b>
<b>3</b>	<b>Chassis Assembly</b>
<b>4</b>	<b>Chassis Parts</b>
<b>5</b>	<b>Drawer Assembly</b>

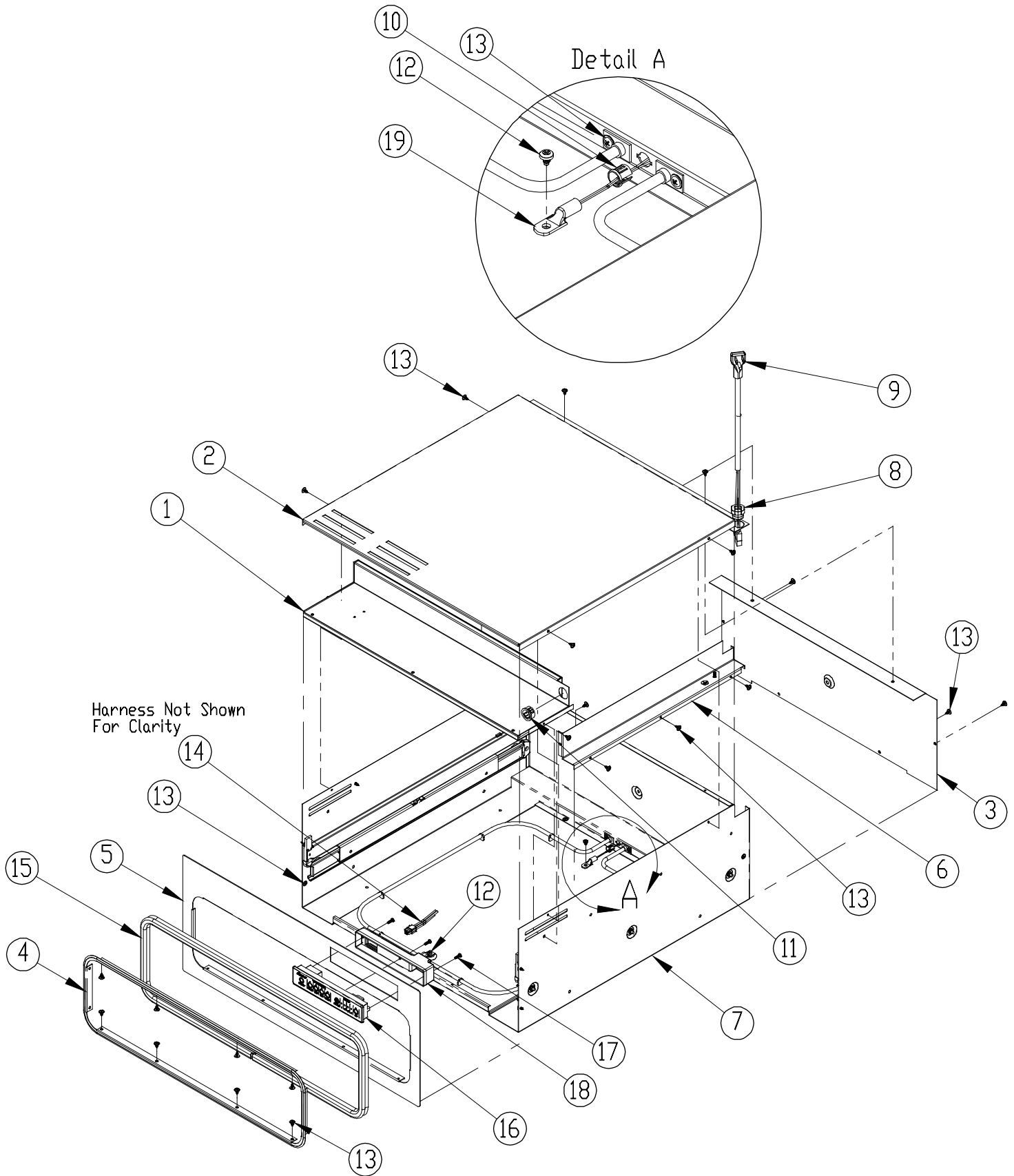
Revised 02-22-2012

# DWD30 - Chassis Wrap Assembly



Item	Description	Part #
1	Wrap, Chassis	101883-03
2	Rear Partition	101881-03
3	Slide Rail Set, RH	72737
4	Slide Rail Set, LH	(includes both rails)
5	Element Hold Down Clip	102321
6	Heating Element	101651
7	Screw, Phil HD, #8 x 1/4"	83001
8	Screw, Phil HD, #8 x 3/8"	83263
9	Nut, Hex Keps #8-32	83048

# DWD30 - Chassis Assembly



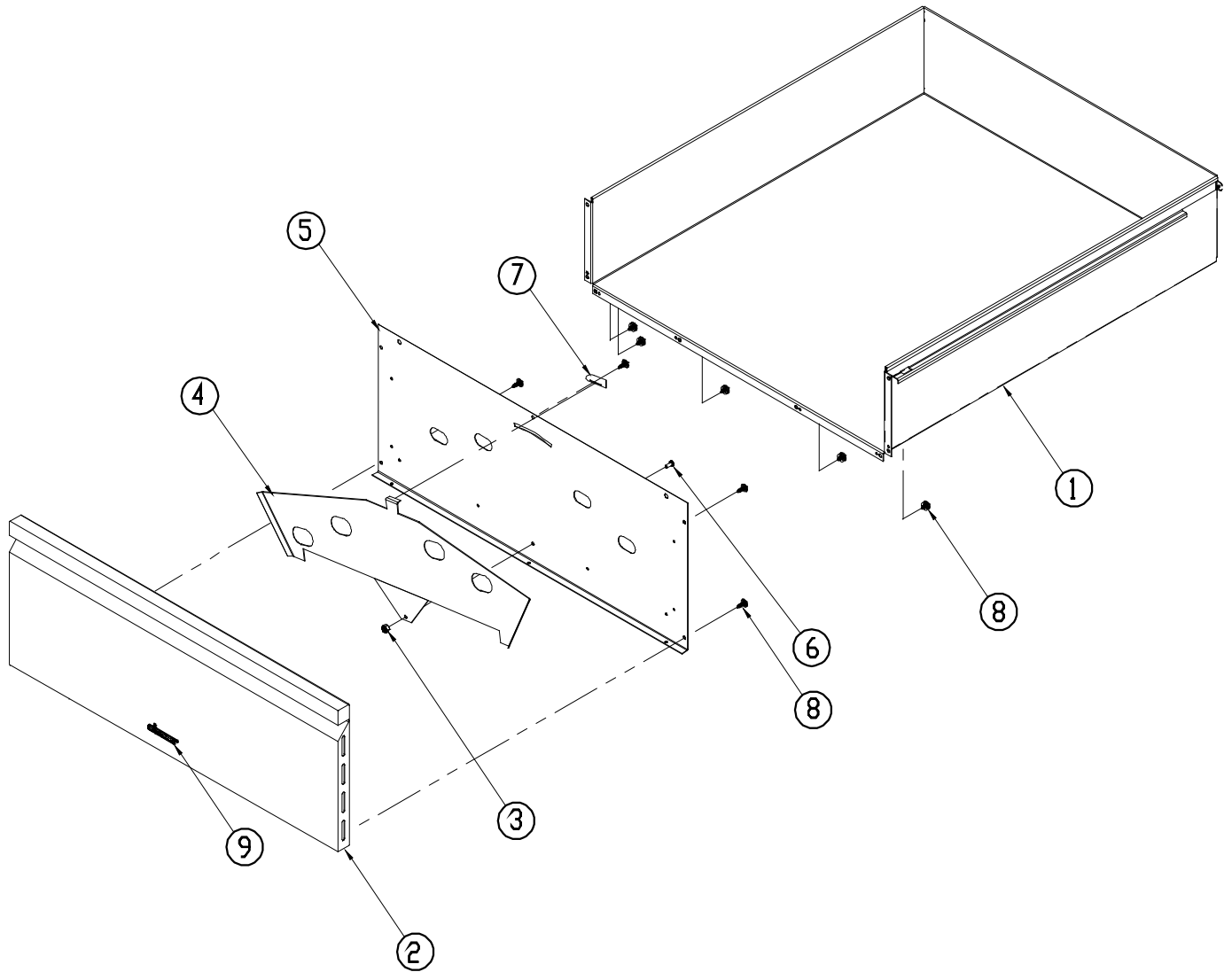
# DWD30 - Chassis Parts

Item	Description	Part #
<b>1</b>	Assy, Channel Control	700738-03
<b>2</b>	Top Cover	101882-03
<b>3</b>	Cover, Rear	102657-03
<b>4</b>	Frame Gasket	102445 <sup>2</sup>
<b>5</b>	Front Frame Panel	101879-03B <sup>2</sup>
<b>6</b>	Electric Chase Weld	700877
<b>7</b>	Assy, Chassis Wrap	700591-03
<b>8</b>	Strain Relief Bushing	83141
<b>9</b>	Power Supply Cord	72765
<b>10</b>	3/8" Bushing Hole	83532
<b>11</b>	Bushing, Heyco	83056
<b>12</b>	Screw, Phil HD, #8 x 1/4"	83001
<b>13</b>	Screw, Phil HD, #8 x 3/8"	83263 <sup>2</sup>
<b>14</b>	Wire Harness (Not Shown)	102347
-	Hi-Limit Thermostat (Not Shown)	106613
<b>15</b>	Drawer Gasket	101649 <sup>2</sup>
<b>16</b>	Control Unit w/Overlay	101645 <sup>3</sup>
<b>17</b>	Screw, 6-19 x 1/2", Plastite	102499 <sup>3</sup>
<b>18</b>	Cover, Control Unit	101610 <sup>3</sup>
<b>19</b>	Thermistor	102472

<sup>1</sup>Kit PN 701119-03 includes frame gasket, front frame panel, drawer gasket and 8 screws.

<sup>2</sup>Kit PN 701120 includes control unit, control unit cover and 3 screws.

# DWD30 - Drawer Assembly



Item	Description	Part #
<b>1</b>	Drawer Wrap	701121-03 <sup>1</sup>
<b>2</b>	Door Skin Assy, w/ Logo	701580 <sup>2</sup>
<b>3</b>	Nut, Nylon, #8-32	106078
<b>4</b>	Moist/Crisp Slide	36454
<b>5</b>	Panel, Door Backing	105692-02E
<b>6</b>	Screw, #8-32 x .375	83358
<b>7</b>	Knob, Damper-Black	82415B
<b>8</b>	Screw, Wfr HD, #8 x 3/8"	83708
<b>9</b>	Dacor Logo	72510CH
<sup>1</sup> PN 701121-03 includes 2 rivets, both rails and drawer wrap.		
<sup>2</sup> PN 701580 includes door front and Dacor logo.		